



# FireCuda Special Edition SSD Installation Guide

---

© 2022 Seagate Technology LLC. All rights reserved. Seagate, Seagate Technology, the Spiral logo, and LaCie logo are trademarks or registered trademarks of Seagate Technology LLC or one of its affiliated companies in the United States and/or other countries. When referring to drive capacity, one gigabyte, or GB, equals one billion bytes; and one terabyte, or TB, equals one trillion bytes. Your computer's operating system may use a different standard of measurement and report a lower capacity. In addition, some of the listed capacity is used for formatting and other functions, and thus will not be available for data storage. Quantitative usage examples for various applications are for illustrative purposes. Actual quantities will vary based on various factors, including file size, file format, features, and application software. The export or re-export of hardware or software containing encryption may be regulated by the US Department of Commerce, Bureau of Industry and Security (for more information, visit [www.bis.doc.gov](http://www.bis.doc.gov)) and controlled for import and use outside the USA. Actual data rates may vary depending on operating environment and other factors. Complying with all applicable copyright laws is the responsibility of the user. All coded instruction and program statements contained herein is, and remains copyrighted works and confidential proprietary information of Seagate Technology LLC or its affiliates. Any use, derivation, dissemination, reproduction, or any attempt to modify, reproduce, distribute, disclose copyrighted material of Seagate Technology LLC, for any reason, in any manner, medium, or form, in whole or in part, if not expressly authorized, is strictly prohibited. Seagate reserves the



**Click here to access an up-to-date online version**

of this document. You will also find the most recent content as well as expandable illustrations, easier navigation, and search capability.

47488 Kato Road  
Fremont, CA 94538  
USA

Seagate Technology NL B.V.  
Koolhovenlaan 1  
1119 NB Schiphol-Rijk  
The Netherlands

Seagate Technology NL B.V. (UK Branch)  
Jubilee House, Globe Park, 3rd Ave  
Marlow SL7 1EY  
UK

Seagate Singapore International Headquarters Pte. Ltd.  
90 Woodlands Avenue 7  
Singapore 737911

---

Model: PCIe Gen4 NVMe™ SSD + Heatsink

# Contents

<b>1</b>	<b>Introduction</b>	<b>3</b>
	Parts	3
	System requirements	3
	Recommendations	3
	• Before installation	3
	Precautions	4
	Required tools	4
<b>2</b>	<b>Installation</b>	<b>5</b>
	Change faceplates	5
	Install FireCuda Special Edition SSD	6
	• Optional RGB LED connection	8
	RGB Colour and Pattern Control	9
<b>3</b>	<b>Support &amp; Services</b>	<b>10</b>
	SeaTools	10
	DiscWizard	10
	Firmware download and tools download for secure erase	10
	Internal SSD support	10
	Online support and services	10
	Warranty support	10
	Data recovery services	10
	Seagate Partner Program	11

# Introduction

## Parts

- FireCuda Special Edition SSD with heatsink
- Optional 5V addressable RGB connector cable to power and control RGB LED lights

## System requirements

- M.2 (M key) slot, PCIe<sup>®</sup> Gen4×4 interface (compatible with PCIe Gen3 and Gen5 interfaces)
- Windows<sup>®</sup> 10 or higher
- For RGB LED functionality: Motherboard with 5V addressable header

## Recommendations

- Intended for desktop PCs.
- FireCuda Special Edition SSD's heatsink is pre-installed and should not be removed as it can damage the SSD.
- With the heatsink, the product exceeds standard M.2 dimensions. Dimensions of the FireCuda Special Edition SSD are 75.00 mm (length) x 24.20 mm (width) x 20.35 mm (height with faceplate). Verify that your system provides enough space for installation.
- M.2 connectors H3.2 and above are recommended for an SSD with a heatsink.
- For optimal performance, provide sufficient airflow and cooling.

## Before installation

- ! **IMPORTANT** Make certain your computer's BIOS is up to date before installing FireCuda Special Edition SSD. See your computer or motherboard documentation for information on how to access the BIOS.

Most motherboards have more than one M.2 slot available for SSD drives. Before installing FireCuda Special Edition SSD:

- Determine the appropriate M.2 slot on your motherboard for FireCuda Special Edition SSD. If another SSD drive is already installed in the slot, you'll need to remove it during the installation.
- Decide whether you want to install your computer operating system on FireCuda Special Edition SSD and use it as your primary drive. See your computer or motherboard documentation for details on how to boot from an M.2 SSD.

- If you need to transfer files from another drive to FireCuda Special Edition SSD, consider how you will move your data or clone your drive before starting the installation.

## Precautions

- Unpack the SSD.
- Inspect the SSD for any damages.
- For the safety of your SSD, please take the necessary precautions to avoid electrostatic discharge. Power down and power drain your computer according to the instructions provided in the computer product documentation.
- Back up the data from the existing storage device.

**!** **CAUTION** Electrostatic discharge (ESD) can damage the SSD. Make sure that you install the SSD at an ESD-safe workstation. Ground yourself to protect the device from any static electricity present in your body.

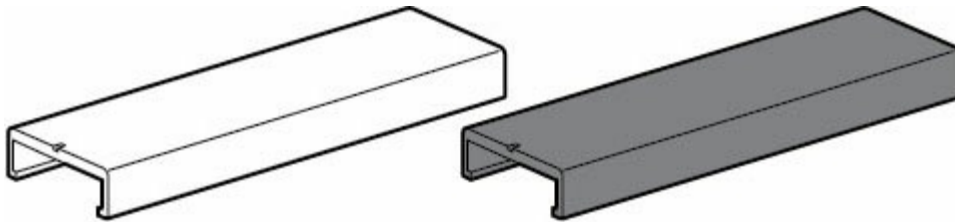
## Required tools

Screwdriver and M.2 screws (not included) to fasten FireCuda Special Edition SSD.

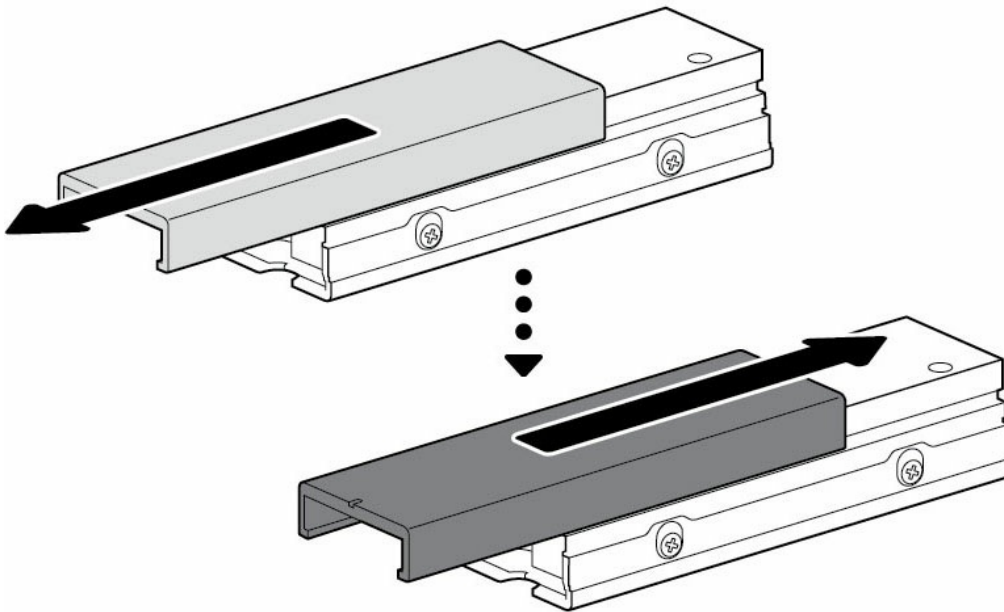
# Installation

## Change faceplates

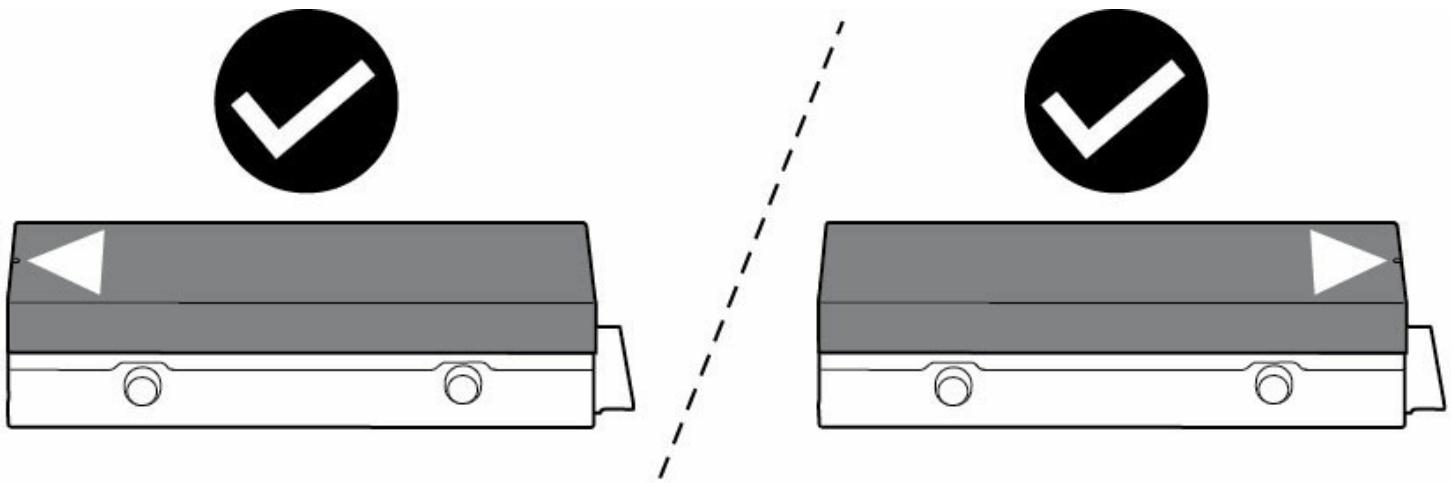
FireCuda Special Edition SSD includes alternate faceplates.



To change faceplates, slide the faceplate currently on FireCuda Special Edition SSD off and slide a different one back on.



You can slide a faceplate in either direction when removing or installing.

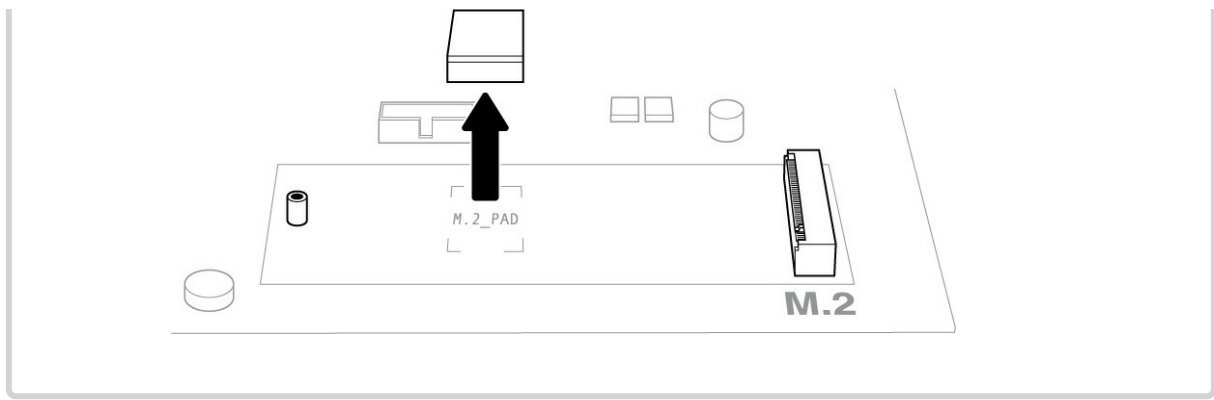


## Install FireCuda Special Edition SSD

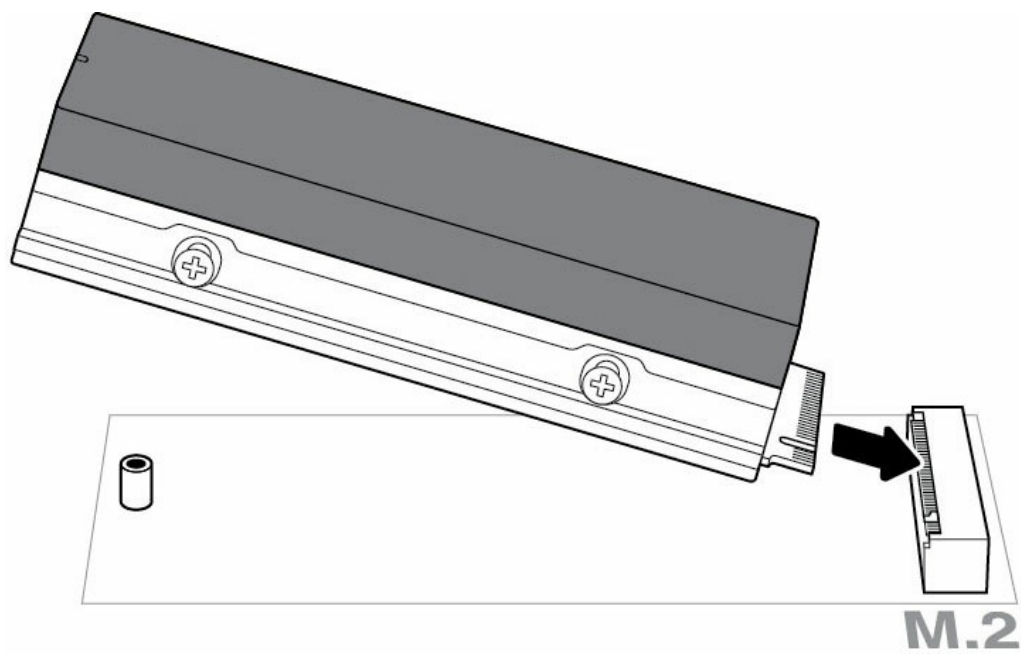
1. Before installing FireCuda Special Edition SSD, power down your computer and unplug any cables attached to it.
2. Open the case or cabinet.
3. If an existing SSD drive is installed in the M.2 PCIe slot you intend to use for FireCuda Special Edition SSD, you'll need to remove it.
4. Power on your computer.
5. Access the BIOS setup while the computer is booting. Ensure that a PCIe device is set in the BIOS boot sequence or boot priority list.
6. Power down the computer and locate the M.2 PCIe slot on your motherboard.



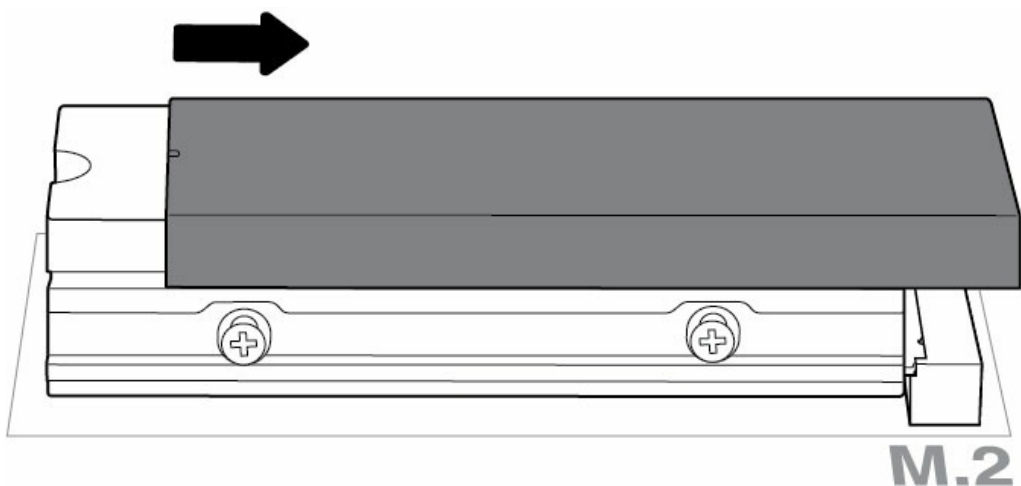
**Note** – Some motherboards have a pad installed in the **M.2\_PAD** space by default. This pad can be removed to ensure a better fit for the SSD.



7. Check to make sure that the notch on FireCuda Special Edition SSD is correctly aligned with the divider in the slot. Gently push the SSD into the slot until it's firmly seated.



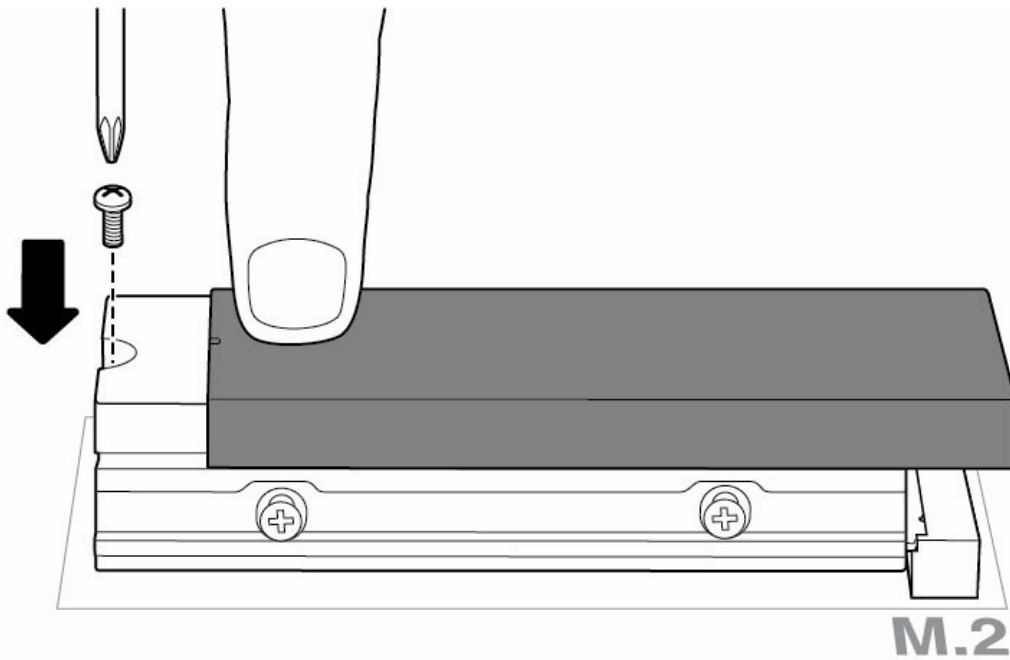
8. Slide the faceplate back slightly to expose the notch on the SSD.



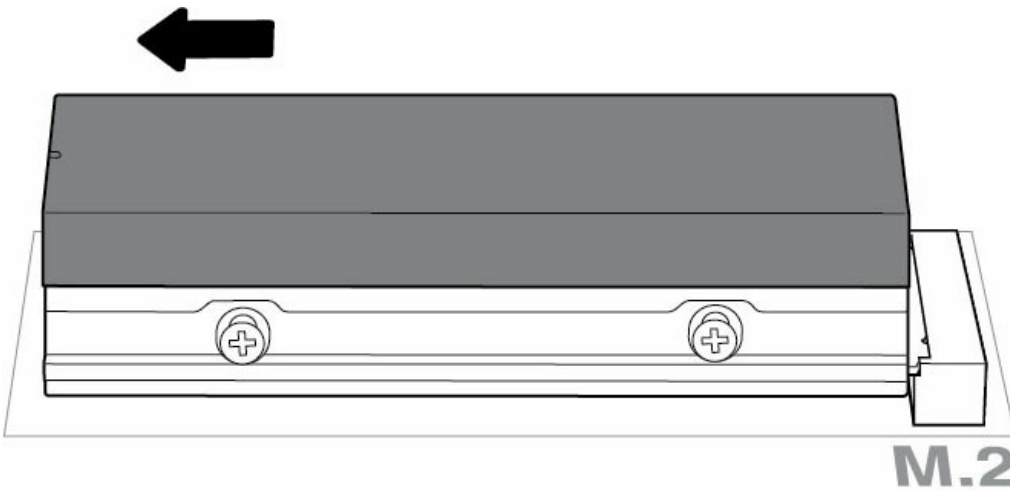
9. Hold down FireCuda Special Edition SSD while you fasten the mounting screw. Make sure the SSD is



secured in place.

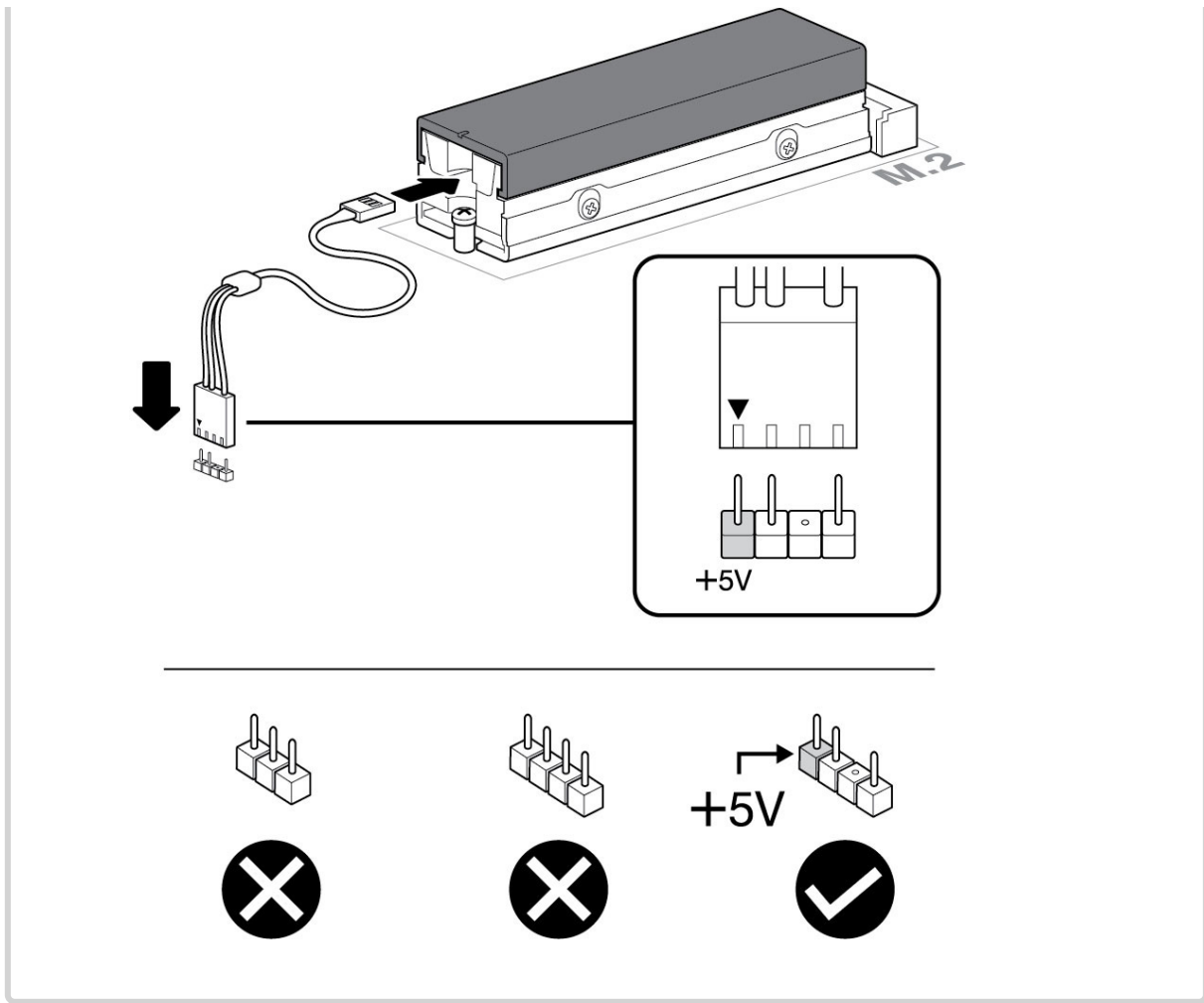


10. Slide the faceplate back into place.



## Optional RGB LED connection

- A. Attach the 5V addressable RGB cable to the connector under the heatsink.
- B. Connect the other end of the cable to the 5V addressable header on the motherboard. The power pin (marked with a triangle) must be connected to the 5V pin 1. Refer to your motherboard documentation for detailed instructions on how to connect RGB capable components to your motherboard. Incorrect connection can damage the RGB connector on the heatsink as well as the computer's LED function.



11. Close the case or cabinet and reassemble your computer.
12. Power on your computer.
13. Install the computer operating system on FireCuda Special Edition SSD if you want to use it as the primary drive.

## RGB Colour and Pattern Control

Refer to the manufacturer of your motherboard for details on the software used to control RGB colours and patterns

# Support & Services

## SeaTools

SeaTools™ SSD GUI is a free utility that lets you monitor and maintain your drive's health, status and tests. Go to [www.seagate.com/support/downloads/seatools](http://www.seagate.com/support/downloads/seatools).

## DiscWizard

Seagate DiscWizard is an integrated software suite that lets you back up your operating system, applications, settings, and files, while also securely destroying confidential data you no longer need. Go to [www.seagate.com/support/downloads/discwizard](http://www.seagate.com/support/downloads/discwizard).

## Firmware download and tools download for secure erase

Go to [www.seagate.com/support/downloads](http://www.seagate.com/support/downloads).

## Internal SSD support

Go to [www.seagate.com/support/products](http://www.seagate.com/support/products).

## Online support and services

Go to [www.seagate.com/contacts](http://www.seagate.com/contacts).

## Warranty support

Go to [www.seagate.com/support/warranty-and-replacements](http://www.seagate.com/support/warranty-and-replacements).

## Data recovery services

Go to [www.seagate.com/services-software/seagate-recovery-services/recover](http://www.seagate.com/services-software/seagate-recovery-services/recover).

# Seagate Partner Program

Go to [www.seagate.com/partners](http://www.seagate.com/partners).