



## Lyve Mobile Mount and PCIe Adapter User Manual

---



**Click here to access an up-to-date online version** of this document. You will also find the most recent content as well as expandable illustrations, easier navigation, and search capability.

# Contents

<b>1</b>	<b>Setup Requirements</b>	<b>3</b>
	Lyve Management Portal credentials	3
	Download Lyve Client	3
	Authorise host computers	3
	Additional equipment	4
<b>2</b>	<b>Install Lyve Mobile Mount</b>	<b>5</b>
	Recommended clearances	5
<b>3</b>	<b>Install and Connect PCIe Adapter</b>	<b>7</b>
	Step 1 - Insert adapter	7
	Step 2 - Attach shoulder screw	7
	Step 3 - Connect power	8
	Step 4 - Connect cables	9
<b>4</b>	<b>Connect Lyve Mobile Array</b>	<b>10</b>
	Step 1 - Release handle	10
	Step 2 - Insert device	10
	Step 3 - Lock device in place	10
	Step 4 - Unlock the device	11
	Safely removing a device	11
<b>5</b>	<b>Regulatory Compliance</b>	<b>12</b>
	FCC DECLARATION OF CONFORMANCE	12
	CLASS B	12
	VCCI-B	12
	China RoHS	12
	Taiwan RoHS	13

# Setup Requirements

## Lyve Management Portal credentials

A Lyve Management Portal username and password are required to authorise computers to access devices connected to the PCIe Adapter.

**Account manager** – You created a Lyve Management Portal username and password when you set up your Lyve account at [lyve.seagate.com](https://lyve.seagate.com).

**Product admin or product user** – You were identified as a product user for a project created in the Lyve Management Portal. An email was sent to you from the Lyve team that included a link for resetting your password.



If you can't remember your credentials or you lost your email invitation, visit [lyve.seagate.com](https://lyve.seagate.com). Click **Sign in** and then click the **Don't remember your password?** link. If your email isn't recognised, contact your account manager. For further help, you can contact customer support using the Lyve Virtual Assist Chat.

## Download Lyve Client

To unlock and access Lyve devices connected to your computer, you must enter your username and password in the Lyve Client app. You can also use it to manage Lyve projects and data operations. Install Lyve Client on any computer intended to connect to Lyve Mobile PCIe Adapter. Download the Lyve Client installer for Windows® or macOS® at [www.seagate.com/support/lyve-client](https://www.seagate.com/support/lyve-client).

## Authorise host computers

An internet connection is required when authorising a host computer.

1. Open Lyve Client on a computer intended to host Lyve Mobile Array.
2. When prompted, enter your Lyve Management Portal username and password.

Lyve Client authorises the host computer to unlock and access Lyve devices and manage projects on the Lyve Management Portal.

The host computer remains authorised for up to 30 days, during which you can unlock and access connected

devices even without an internet connection. After 30 days, you'll need to open Lyve Client on the computer and re-enter your credentials.



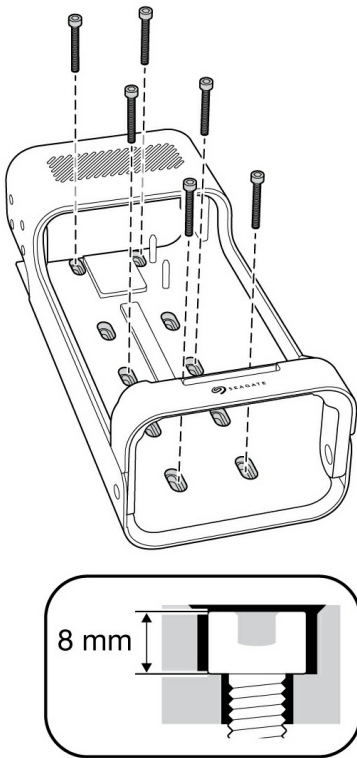
Lyve Mobile Array locks when powered off, ejected or unplugged from the host computer, or if the host computer goes to sleep. Use Lyve Client to unlock Lyve Mobile Array when it is reconnected to the host or the host has awakened from sleep. Note that Lyve Client must be open and the user must be signed in to use Lyve Mobile Array.

## Additional equipment

- Host computer with PCIe card installed
- PCIe cable x 2
- Ethernet cable x 2 (not included)

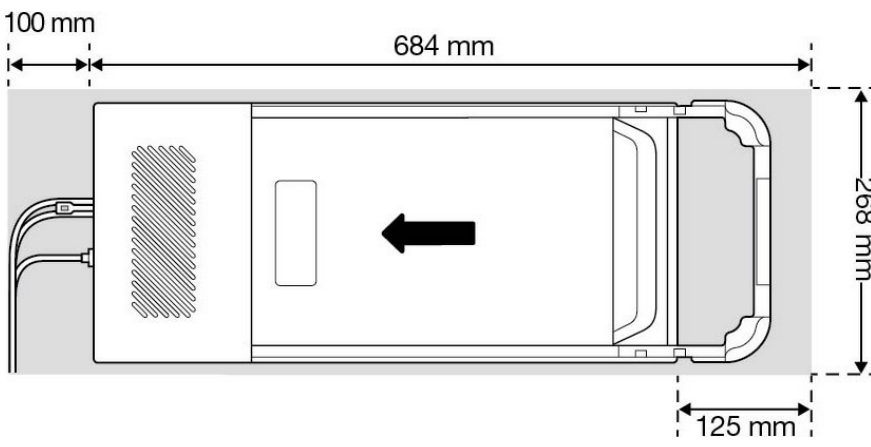
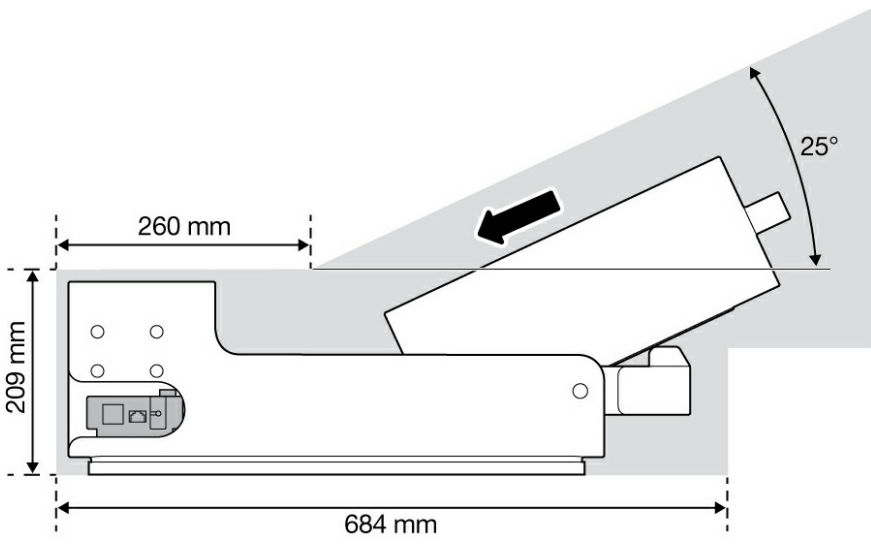
# Install Lyve Mobile Mount

Before installing Lyve Mobile PCIe Adapter, ensure that Lyve Mobile Mount is securely fixed to a vehicle, apparatus, or structure to avoid excessive motion.



To avoid damaging Lyve Mobile Array's enclosure, the cylindrical socket cap on the mounting screws cannot exceed 8 mm in height.

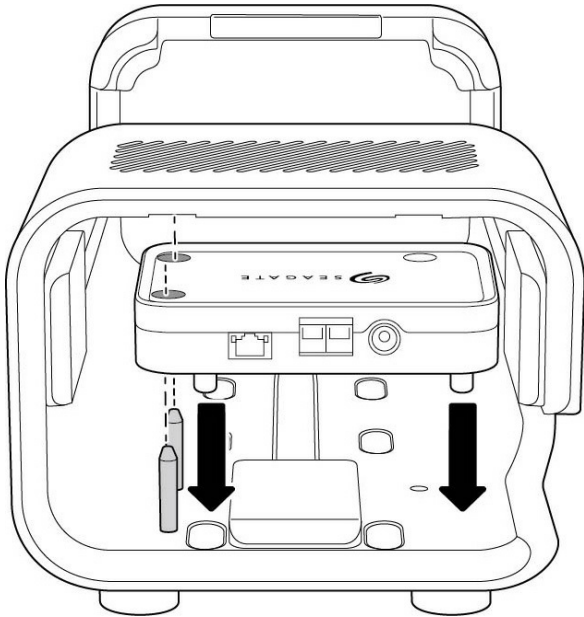
## Recommended clearances



# Install and Connect PCIe Adapter

## Step 1 - Insert adapter

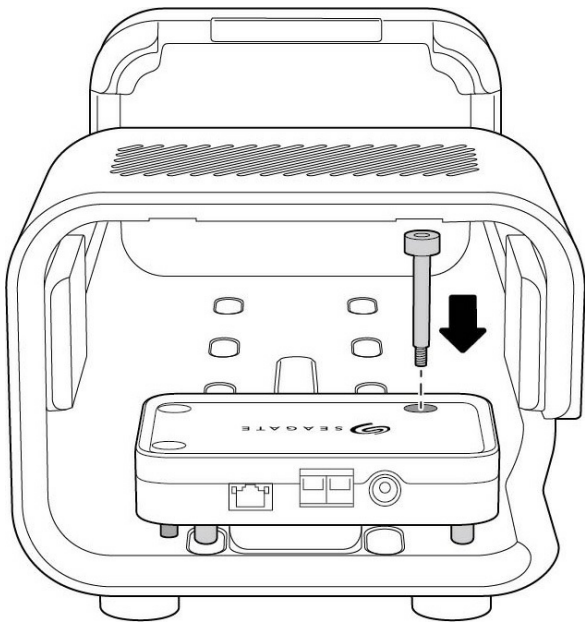
Slide Lyve Mobile PCIe Adapter onto the guide pins at the back of Lyve Mobile Mount.



(Back view)

## Step 2 - Attach shoulder screw

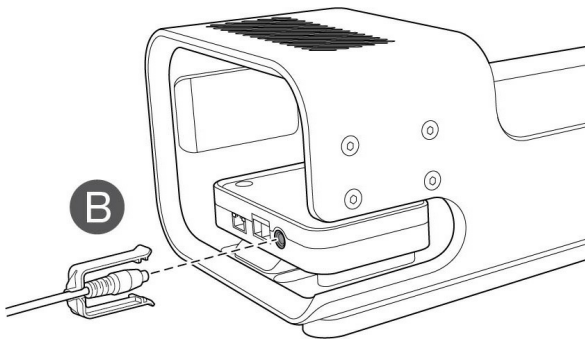
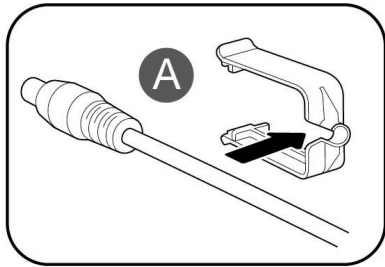
Insert the shoulder screw into the hole and tighten it.



## Step 3 - Connect power

A Snap the locking bracket onto the power cable.

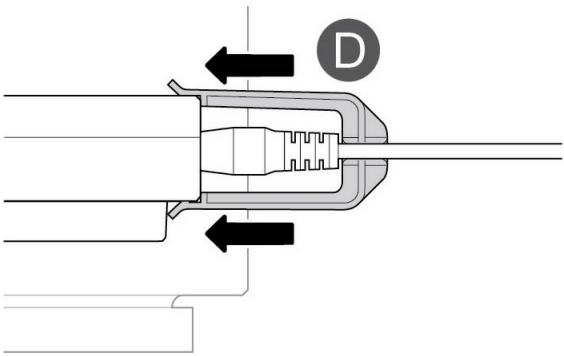
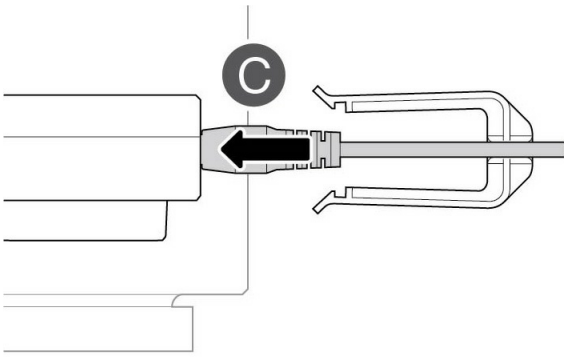
B Insert the power cable into the PCIe Adapter's power port.



C Confirm that the power cable is well connected.

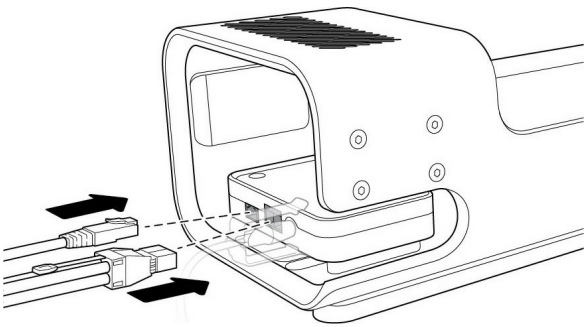
D Slide the locking bracket forward and clip it on the bevelled rim on PCIe Adapter.





## Step 4 - Connect cables

Connect the Ethernet cable (device configuration) and dual SFF-8644 cable (data) to PCIe Adapter.\*

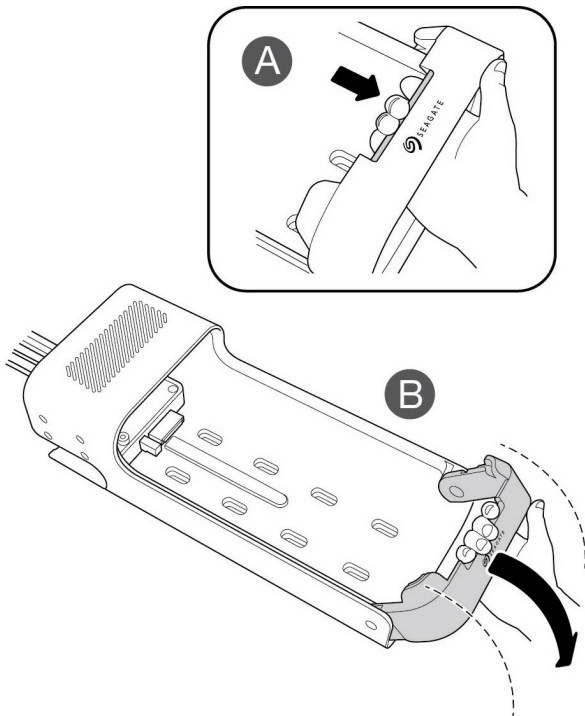


\* Ethernet cable not included.

# Connect Lyve Mobile Array

## Step 1 - Release handle

Press the green release button and pull the handle down.

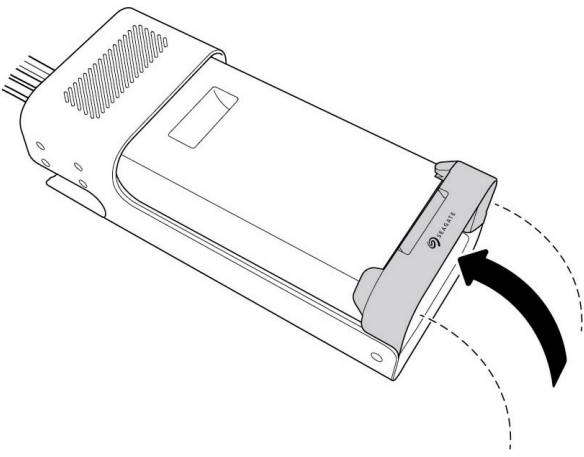


## Step 2 - Insert device

Insert Lyve Mobile Array with ports facing PCIe Adapter. Slide Mobile Array toward the back of the mount. Apply firm pressure until Mobile Array is seated on PCIe Adapter.

## Step 3 - Lock device in place

Raise the handle and lock it in place.



## Step 4 - Unlock the device

The LED on the device inserted in Lyve Mobile Mount blinks white during the boot process and turns solid orange. The solid orange LED colour indicates the device is ready to be unlocked.

Make sure the Lyve Client app is running on the host computer. The host computer will automatically unlock the device if it connected to it in the past and is still authorised for security. If the host computer has never unlocked the device, you will need to enter your Lyve Management Portal username and password in the Lyve Client app. See [Setup Requirements](#).

Once Lyve Client has validated permissions for the device connected to the computer, the LED on the device turns solid green. The device is unlocked and ready for use.

## Safely removing a device

Your computer must perform filing and housekeeping operations on your Lyve device before it is physically removed from Lyve Mobile Mount. To avoid corrupting or damaging files, always eject the device's volumes from your computer before physically removing the device.

To avoid muscle strain or back injury, use proper lifting techniques when removing devices from Lyve Mobile Mount.

# Regulatory Compliance

---

**Product Name**

Seagate Lyve Mobile PCIe Adapter

---

**Regulatory Model Number**

SMDG001

## FCC DECLARATION OF CONFORMANCE

This device complies with Part 15 of the FCC Rules. Operation is subject to the following two conditions: (1) this device may not cause harmful interference, and (2) this device must accept any interference received, including interference that may cause undesired operation.

## CLASS B

This equipment has been tested and found to comply with the limits for a Class B digital device, pursuant to Part 15 of the FCC Rules. These limits are designed to provide reasonable protection against harmful interference in residential installation. This equipment generates, uses, and can radiate radio frequency energy and, if not installed and used in accordance with the instructions, may cause harmful interference to radio communications. However, there is no guarantee that interference will not occur in a particular installation. If this equipment does cause harmful interference to radio or television reception, which can be determined by turning the equipment off and on, the user is encouraged to try to correct the interference by one or more of the following measures:

1. Reorient or relocate the receiving antenna.
2. Increase the separation between the equipment and receiver.
3. Connect the equipment into an outlet on a circuit different from that to which the receiver is connected.
4. Consult the dealer or an experienced radio/TV technician for help.

**CAUTION:** Any changes or modifications made to this equipment may void the user's authority to operate this equipment.

## VCCI-B

この装置は、クラスB機器です。この装置は、住宅環境で使用することを目的としていますが、この装置がラジオやテレビジョン受信機に近接して使用されると、受信障害を引き起こすことがあります。取扱説明書に従って正しい取り扱いをして下さい。VCCI-B

## China RoHS



China RoHS 2 refers to the Ministry of Industry and Information Technology Order No. 32, effective July 1, 2016, titled Management Methods for the Restriction of the Use of Hazardous Substances in Electrical and Electronic Products. To comply with China RoHS 2, we determined this product's Environmental Protection Use Period (EPUP) to be 20 years in accordance with the Marking for the Restricted Use of Hazardous Substances in Electronic and Electrical Products, SJT 11364-2014.

中国 RoHS 2 是指 2016 年 7 月 1 日起施行的工业和信息化部令第 32 号“电力电子产品限制使用有害物质管理办法”。为了符合中国 RoHS 2 的要求，我们根据“电子电气产品有害物质限制使用标识”(SJT 11364-2014) 确定本产品的环保使用期 (EPUP) 为 20 年。

部件名称 Part Name	有害物质 Hazardous Substances					
	铅 (Pb)	汞 (Hg)	镉 (Cd)	六价铬 (Cr <sup>6+</sup> )	多溴联苯 (PBB)	多溴二苯醚 (PBDE)
外接硬盘印刷电路板 Bridge PCBA	X	O	O	O	O	O
电源 (如果提供) Power Supply (if provided)	X	O	O	O	O	O
接口电缆 (如果提供) Interface cable (if provided)	X	O	O	O	O	O
其他外壳组件 Other enclosure components	O	O	O	O	O	O

本表格依据 SJ/T 11364 的规定编制。  
This table is prepared in accordance with the provisions of SJ/T 11364-2014

O: 表示该有害物质在该部件所有均质材料中的含量均在 GB/T 26572 规定的限量要求以下。  
O: Indicates that the hazardous substance contained in all of the homogeneous materials for this part is below the limit requirement of GB/T26572.

X: 表示该有害物质至少在该部件的某一均质材料中的含量超出 GB/T 26572 规定的限量要求。  
X: Indicates that the hazardous substance contained in at least one of the homogeneous materials used for this part is above the limit requirement of GB/T26572.

## Taiwan RoHS

Taiwan RoHS refers to the Taiwan Bureau of Standards, Metrology and Inspection's (BSMI's) requirements in standard CNS 15663, Guidance to reduction of the restricted chemical substances in electrical and electronic equipment. Beginning on January 1, 2018, Seagate products must comply with the "Marking of presence" requirements in Section 5 of CNS 15663. This product is Taiwan RoHS compliant. The following table meets the Section 5 "Marking of presence" requirements.

台灣RoHS是指台灣標準局計量檢驗局(BSMI)對標準CNS15663要求的減排電子電氣設備限用化學物質指引。從2018年1月1日起, Seagate 產品必須符合CNS15663第5節「含有標示」要求。本產品符合台灣RoHS。下表符合第5節「含有標示」要求。

產品名稱:磁碟陣列功能擴充座,型號:SMDG001

Product Name: Lyve Mobile PCIe Adapter, Model: SMDG001

單元 Unit	限用物質及其化學符號			Restricted Substance and its chemical symbol		
	鉛 (Pb)	汞 (Hg)	鎘 (Cd)	六價鉻 (Cr <sup>6+</sup> )	多溴聯苯 (PBB)	多溴二苯醚 (PBDE)
外接硬盤印刷電路板 Bridge PCBA	—	○	○	○	○	○
電源 (如果提供) Power Supply (if provided)	—	○	○	○	○	○
傳輸線材 (如果提供) Interface cable (if provided)	—	○	○	○	○	○
其他外殼組件 Other enclosure components	○	○	○	○	○	○

備考 1. “○” 係指該項限用物質之百分比含量未超出百分比含量基準值。

Note 1. “○” indicates that the percentage content of the restricted substance does not exceed the percentage of reference value of presence.

備考 2. “—” 係指該項限用物質為排除項目。

Note 2. “—” indicates that the restricted substance corresponds to the exemption.

額定電壓/額定電流: 20VDC == 13A 操作溫度: 5 - 40 °C